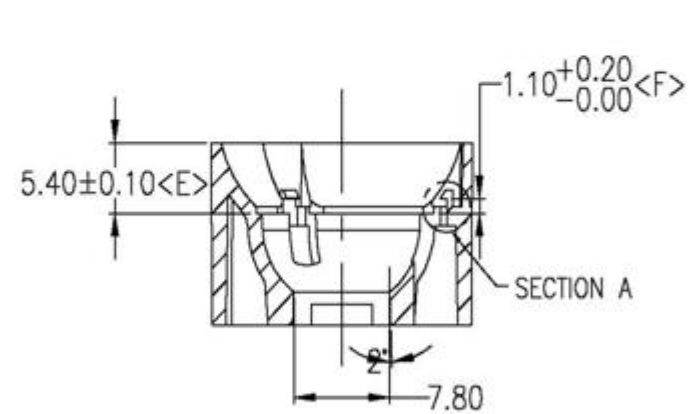
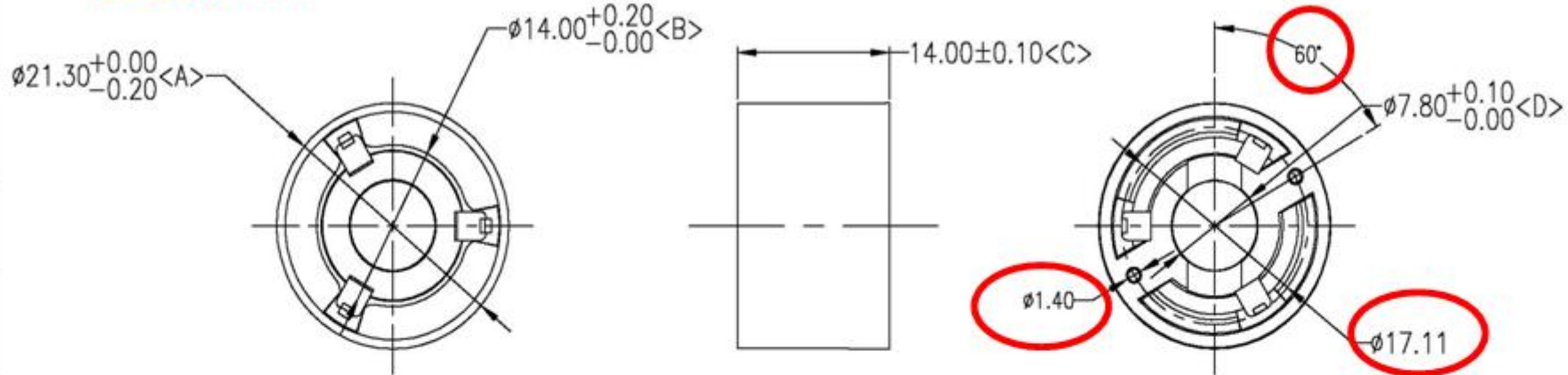


DRAW	REV	DATE	DESCRIPTION

D=21.3 mm



PCB螺絲固定位置: $\phi 2.2$,直徑17.11,60°

SW-IRLEDLENS10014K2-H22X

X:W 白色(White Color)
B 黑色(Black Color)

100°



Project NO.		SOARAWAY 翔暉科技			
Expect mark	LL01TZRV48H2				
TITLE	LL01TZRV48H2				
Crucial point		UNIT	MM	DATE	2013/6/8
CHECK		MATERIAL	PC 防火白	REV	1.4
DRAWING	Johnson	SCALE	FIT	Third Angle Projection	