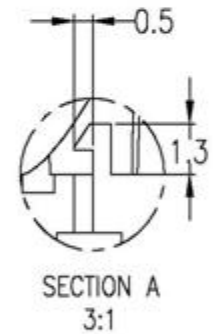
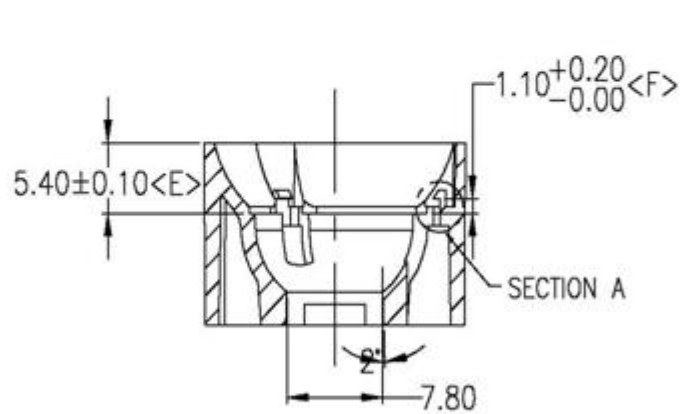
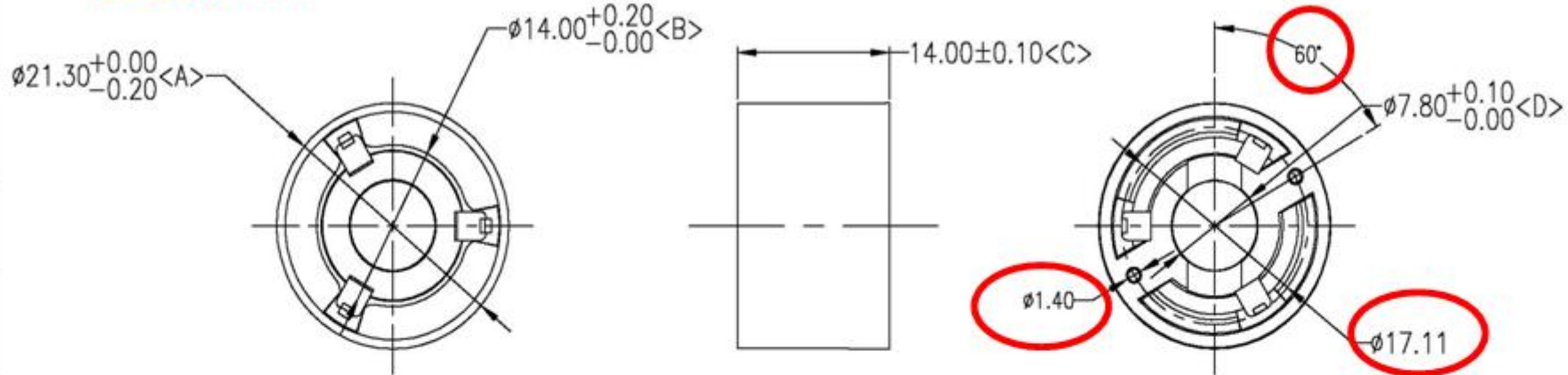


| DRAW | REV | DATE | DESCRIPTION |
|------|-----|------|-------------|
| | | | |

D=21.3 mm



PCB螺絲固定位置: $\phi 2.2$,直徑17.11,60°

SW-IRLEDLENS3014K2-H22X

X:W 白色(White Color)
B 黑色(Black Color)

30°



| | |
|---------------|--------------|
| Project NO. | |
| Expect mark | LL01TZRV48H2 |
| TITLE | LL01TZRV48H2 |
| Crucial point | |
| CHECK | |
| DRAWING | Johnson |



| | | | |
|----------|--------|------------------------|----------|
| UNIT | MM | DATE | 2013/6/8 |
| MATERIAL | PC 防火白 | REV | 1.4 |
| SCALE | FIT | Third Angle Projection | |